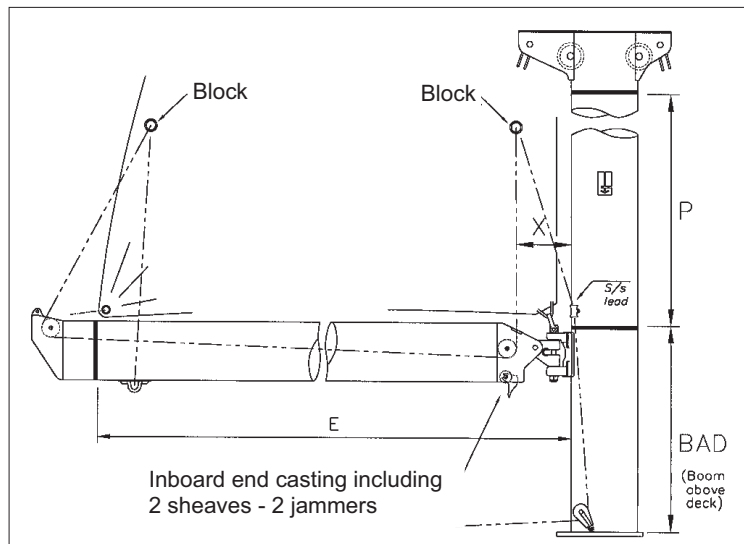


► SINGLE LINE REEFING SYSTEM



Section	X
F125	90
F220	140
F550	140
F810	210
F1700	210

REEFING LINE CALCULATION

$$\text{Reef1} = P \times 0,15 \times 4 + E + \text{BAD} + 1500$$

$$\text{Reef2} = P \times 0,25 \times 4 + E + \text{BAD} + 1500$$

$$\text{Reef3 (std)} = P \times 0,66 \times 2 + E + \text{BAD} + 1500$$

43205508004 Stainless steel s/s lead small size

43205508124 Stainless steel s/s lead big size

48031421040 Deck organizer delrin sheave

Sections : -> I260 & -> F195

Sections : I330-NG70 & F305-F580

Sections : NG80, NG105 & F740-F1395

Nota : only 2 single lines reefing per section



43205508009 Alloy auto reefing lead available on F60-F125 (F220 avec vit de mulet 34511773007).

► AUTOMATIC REEFING SYSTEM

2004

