

► MASTHEADS

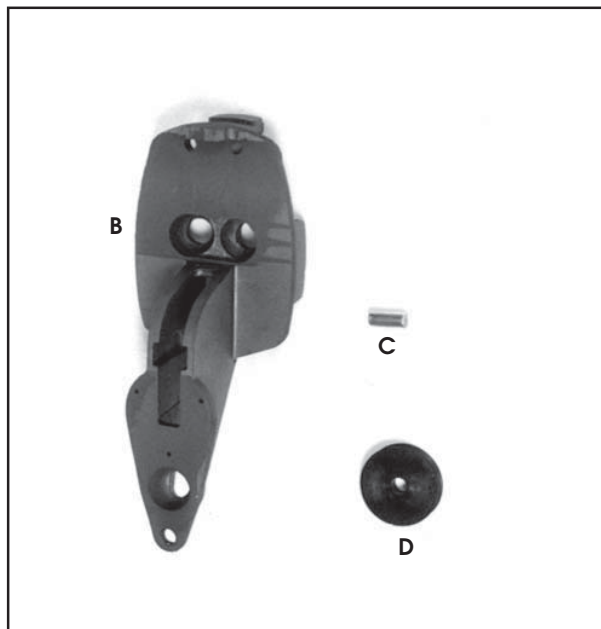
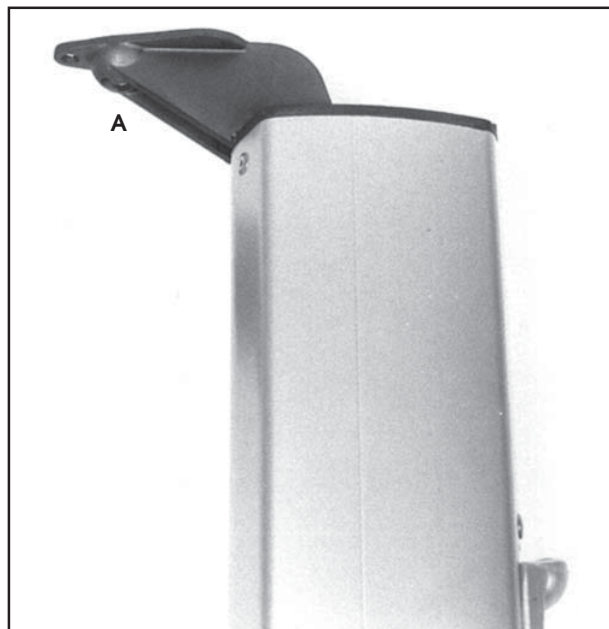
2004

| | | | | |
|-------|------|------|------|------|
| F35 | OC 0 | | | |
| F50 | OC 0 | | | |
| F67 | OC 0 | | | |
| F101 | OC 0 | | | |
| I137 | | OC 1 | | |
| I180 | | OC 1 | | |
| I260 | | OC 1 | | |
| I330 | | OC 1 | | |
| NG51 | | OC 1 | OC 2 | |
| NG60 | | | OC 2 | |
| NG70 | | | OC 2 | |
| NG80 | | | OC 2 | |
| NG86 | | | | OC 3 |
| NG105 | | | | OC 3 |

► STANDARD TAPER

| | | Profiles | | | | | | | | | | | | | | |
|---------------------|------------|----------|------|------|------|------|------|------|------|------|------|------|------|------|------|-------|
| | | Rig | F35 | F50 | F67 | F101 | I137 | I180 | I260 | I330 | NG51 | NG60 | NG70 | NG80 | NG86 | NG105 |
| Taper chart (mm) | Mast head | | 1500 | 1500 | 1500 | 1500 | 1800 | 1800 | 1800 | 2000 | 2000 | 2000 | 2000 | 2500 | 2500 | 2800 |
| | Fractional | | 1750 | 1750 | 2000 | 2250 | 1500 | 1500 | 1500 | 1800 | 1800 | 2000 | 2000 | 2300 | 2300 | 2600 |

► MASTHEAD OC 0



2004

STANDING RIGGING : \varnothing 5 or 5/16" maxi (wire)

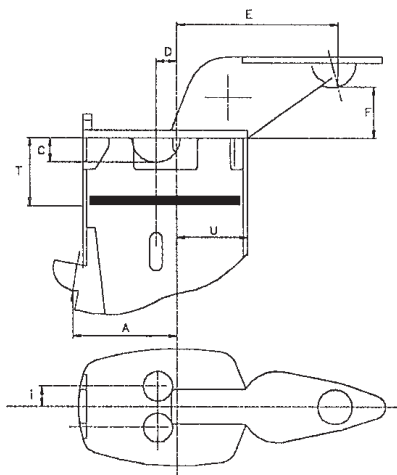
RUNNING RIGGING : \varnothing 8 maxi

| Section | Complete mast head | Mast head body | Pin | Sheave |
|-------------|--------------------|----------------|-------------|-------------|
| | A | B | C | D |
| F35 | 30000010355 | 30000010353 | 40020108018 | 48530401015 |
| F50 | 30000010505 | 30000010503 | 40020108018 | 48530401015 |
| F67 | 30000010675 | 30000010673 | 40020108018 | 48530401015 |
| F101 | 30000011015 | 30000011013 | 40020108018 | 48530401015 |

Assembly : 2 x 29002248160 Stainless rivet.

Option boom lift : block 48001030120

Option taper for F35 and F50, length 1 500 mm.

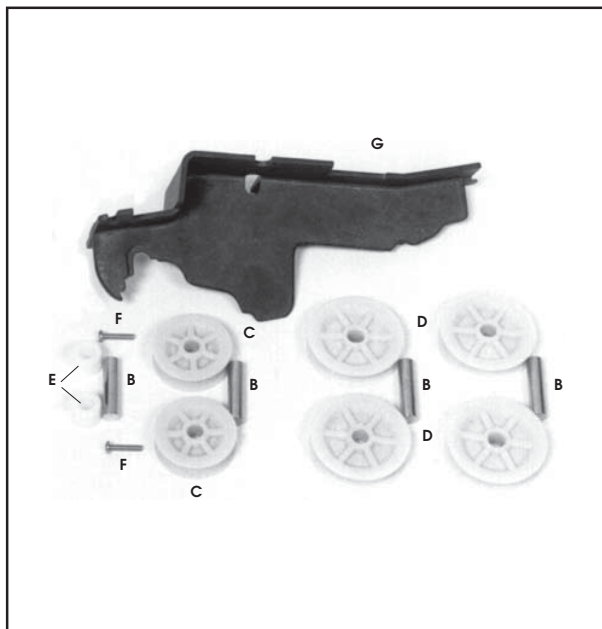
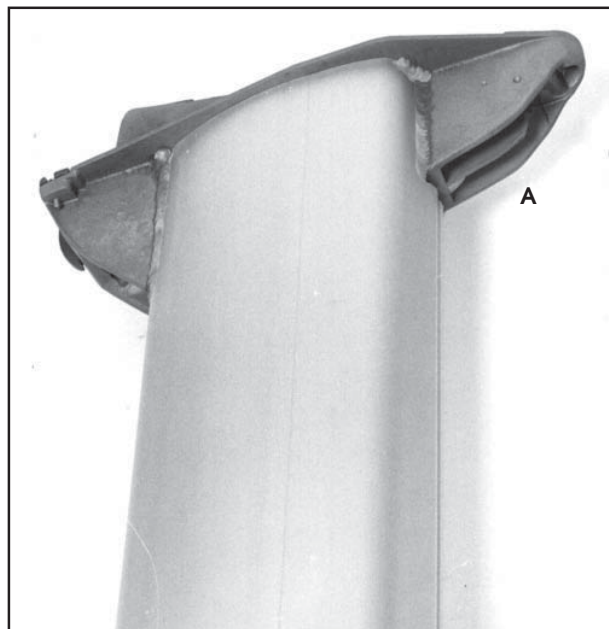


MAIN DIMENSIONS

| PROFILS Non tapered | A | C | D | E | F | i | T | U |
|------------------------|----|----|----|-----|----|----|-----|----|
| F35 | 61 | 10 | 20 | 96 | 40 | 13 | 150 | 41 |
| F50 | 67 | 10 | 15 | 100 | 40 | 13 | 150 | 45 |
| F67 | 72 | 10 | 12 | 105 | 40 | 13 | 150 | 50 |
| F101 | 81 | 10 | 6 | 110 | 40 | 13 | 150 | 55 |

► MASTHEAD OC 1

2004



STANDING RIGGING : Ø 8 or 5/16" maxi (wire)

RUNNING RIGGING : Ø 12 maxi

| 30001010285 | Masthead complete | Qt | Repère |
|-------------|---|----|--------|
| 30001010283 | Masthead | 1 | A |
| 40020110040 | Straightpin $\varnothing 10 \times 40.8$ | 4 | B |
| 48530501415 | Sheave 50 x 14 | 4 | C |
| 48530601415 | Sheave 60 x 14 | 2 | D |
| 40503010015 | Rollers $\varnothing 10 \quad 18 \times 15$ | 2 | E |
| 28600705020 | Safety pin $\varnothing \quad 4 \times 20$ | 2 | F |
| 30001090283 | Masthead cover | 1 | G |

| 30016200985 | External spinnaker crane | Qt |
|-------------|------------------------------------|----|
| 30016200984 | Spinnaker crane | 1 |
| 28600706025 | Screw M6 x 25 TCF | 2 |
| 28600506000 | Nylstop nuts $\varnothing \quad 6$ | 2 |
| 28600704020 | Screw M4 x 20 TCF | 2 |

Data for standing riggings

| | |
|-------------|---|
| 31012114016 | Washer $\varnothing \quad 26 \times 16$ |
| 31012114011 | Washer $\varnothing \quad 26 \times 11$ |

WARNING

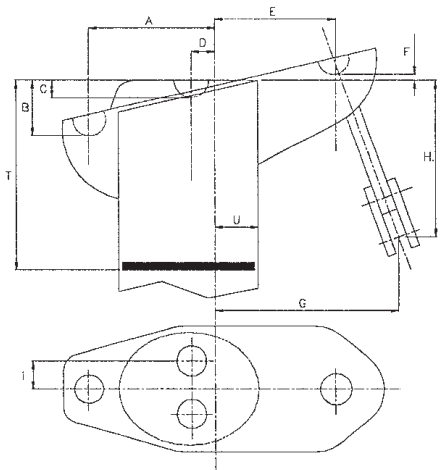
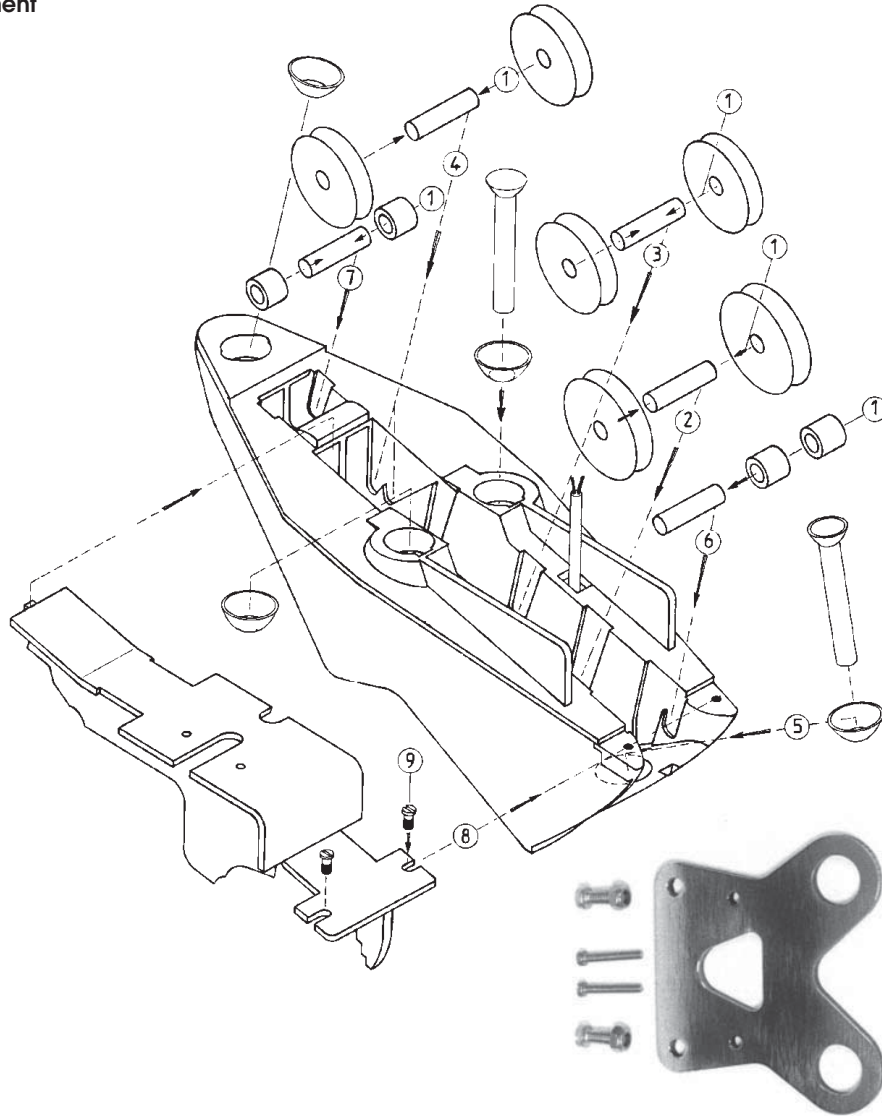
- 1) Do not cross the cap shrouds inside the extrusion.
- 2) Use stemball toggle on forestay if furling genoa is installed.

► MASTHEAD OC 1

FUNCTIONAL DIAGRAM

Standard equipment

- 2 Genoas
- 2 Spi
- 1 Main
- 1 Main lift

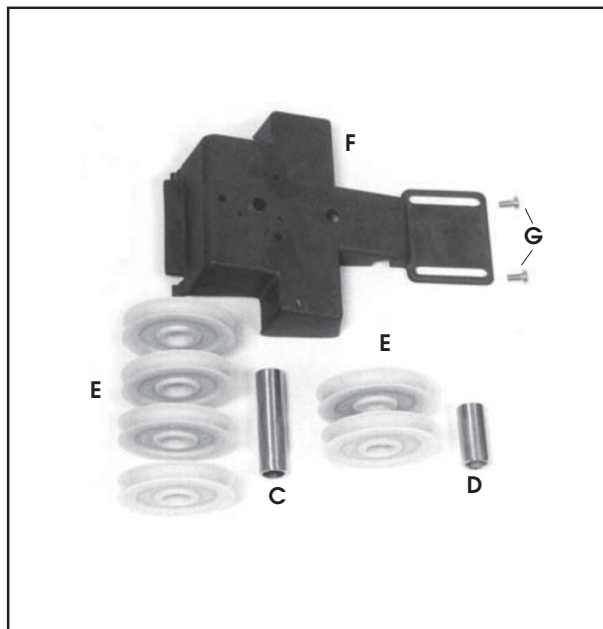
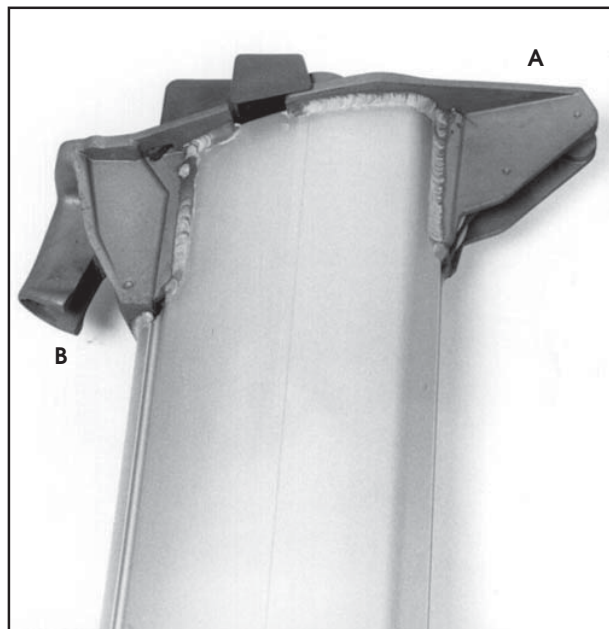


MAIN DIMENSIONS

| PROFILS Non tapered | A | B | C | D | E | F | G | H | I | T | U |
|------------------------|-----|----|----|------|-----|----|-----|----|----|-----|----|
| I 137 | 121 | 83 | 8 | - 17 | 162 | 20 | 197 | 69 | 33 | 250 | 61 |
| I 180 | 121 | 80 | 15 | 6 | 139 | 14 | 172 | 75 | 33 | 250 | 65 |
| I 260 | 121 | 93 | 18 | 15 | 130 | 12 | 163 | 77 | 33 | 250 | 67 |
| I 330 | 121 | 95 | 19 | 24 | 121 | 9 | 154 | 80 | 33 | 250 | 68 |
| NG 51 | 121 | 97 | 22 | 27 | 118 | 7 | 151 | 82 | 33 | 250 | 75 |

► MASTHEAD OC 2

2004



STANDING RIGGING : Ø 12 or 7/16" maxi

RUNNING RIGGING : Ø 14 maxi

| 30002010515 | Masthead complete | Qt | Repère |
|---------------------------|--------------------------|----|--------|
| 30002070513 | Masthead rear | 1 | A |
| 30002050513 | Masthead front | 1 | B |
| 40020721081 | Front pin 21,3 x 81,5 | 1 | C |
| 40020721046 | Rear pin 21,3 x 46 | 1 | D |
| 48530851515 | Sheave 85 x 15 | 6 | E |
| 30002090513 | Masthead cover | 1 | F |
| 28600706012 | Screw TCL 6 x 12 | 2 | G |
| 30016221005 | External spinnaker crane | Qt | |
| 30016221004 | Spinnaker crane | 1 | |
| 28600708030 | Screw 8 x 30 | 4 | |
| 28600508000 | Nylstop nut 8 | 4 | |
| Data for standing rigging | | | |
| 31012114020 | Washer Ø 34 x 20 | 4 | |

WARNING

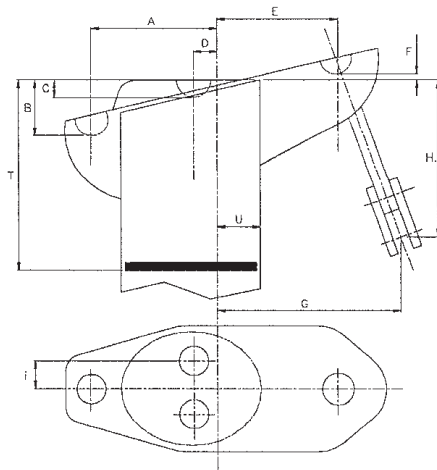
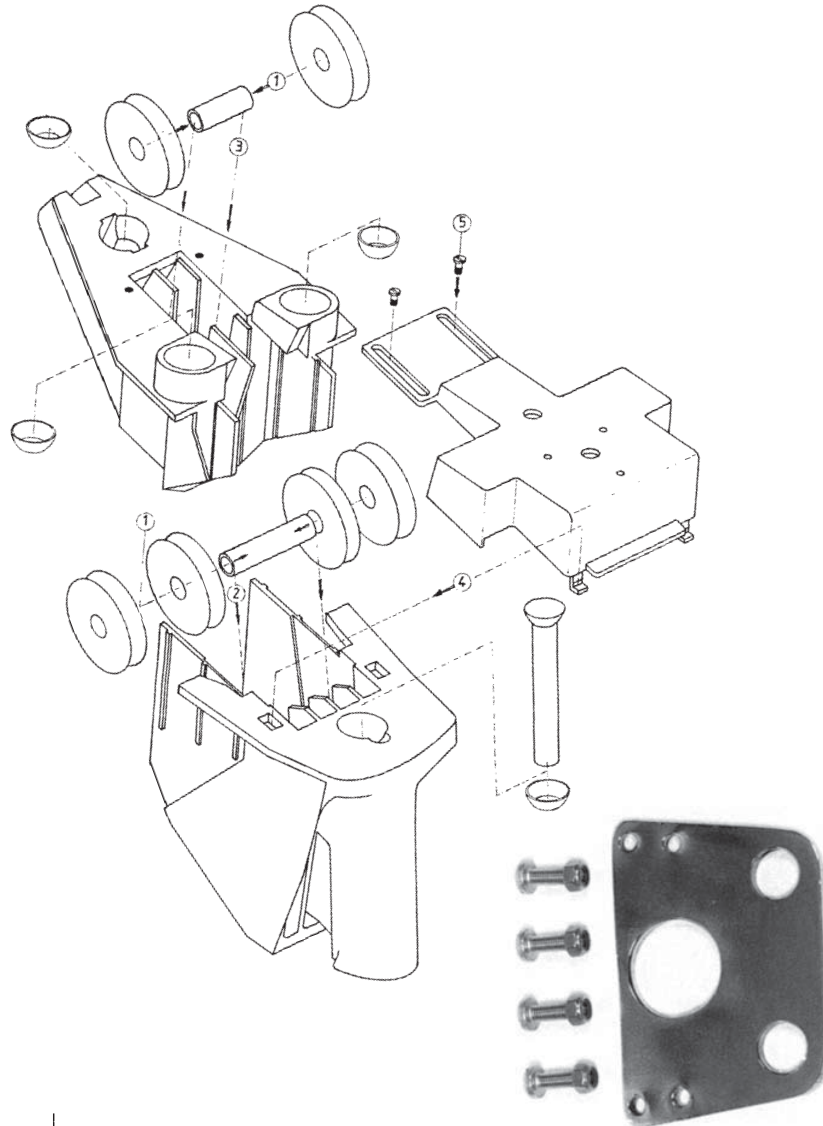
- 1) Do not cross the cap shrouds inside the mast.
- 2) Use stemball toggle on forestay if furling genoa is installed.

► MASTHEAD OC 2

FUNCTIONAL DIAGRAM

Standard equipment

- 2 Genoas
- 2 Spi
- 1 Main
- 1 Main lift



MAIN DIMENSIONS

| PROFILS Non tapered | A | B | C | D | E | F | G | H | I | T | U |
|------------------------|-----|----|----|----|-----|---|-----|-------|------|-----|----|
| NG 51 | 145 | 55 | 11 | 14 | 128 | 3 | 188 | 161 | 54.5 | 250 | 75 |
| NG 60 | 152 | 59 | 5 | 0 | 142 | 6 | 202 | 158.5 | 54.5 | 300 | 80 |
| NG 70 | 152 | 64 | 9 | 1 | 143 | 2 | 203 | 162.5 | 54.5 | 300 | 96 |
| NG 80 | 163 | 63 | 9 | 2 | 144 | 2 | 204 | 161.5 | 54.5 | 300 | 96 |