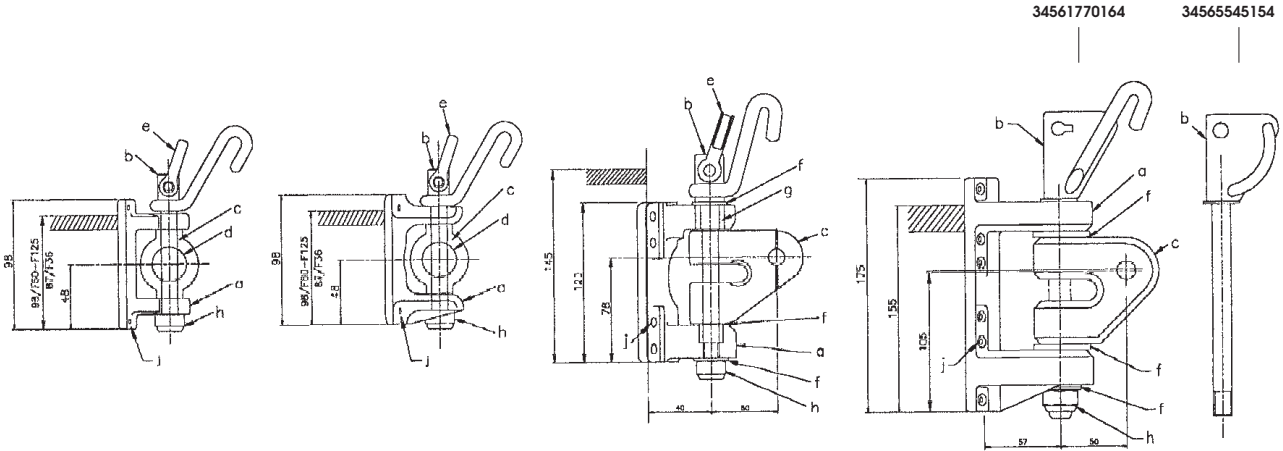


► GOOSENECK

2004

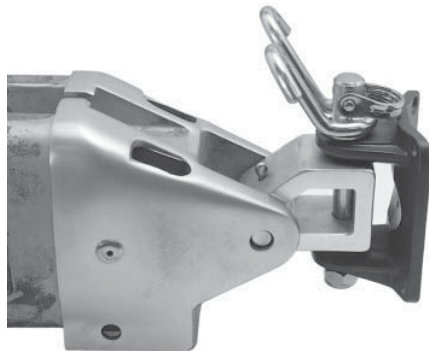


- F35 à F101 - - F101 à I330 - - NG51 à NG86 - - NG86 à NG105 -

STANDARD

Profile	Boom	Complete ref.	a		b		c		d		e		f		h		j		j	
			Bracket	Pin	Toggle	Bearing	Shackle	Washer	Qty	Nut	Rivet	Qty	Screw	Qty						
F35 F50 F67-101	F36 F60 F125	34511770C05	34511771403	34561771384	34575544100	34575544110	46001121006						28600512000	29004164180	4					
F101-I137 I180-NG51 I260-330	F36 F60 F125	34511770C15	34515543093	34561771384	34575544100	34575544110	46001121006						28600512000	29004164180	4					
	F220*	34511770C75	34515543093	34561771384	34531793003		46001121006						28600512000	29004164180	4					
NG51 NG60-70 NG80-86	F220 F550	34511770C25	35215543123	34561771464	34531792183		46001151008	28602314025	3	28600514000	29003164250	8								
	F810	34511770C26	35215543123	34561771464	34531792193		46001151008	28602314025	3	28600514000	28601306025	8								
NG86 NG105	F810 F1700 F3400	34511770C35	34515543103	34565545154 ou 34561770164	34535544123			28602316030	3	28600516000									28601306025 x8 + 2 contre-plaques	

* Option toggle for F 220 with OC1



AUTOMATIC AND SINGLE LINE REEFING

Gooseneck vertical pin without reef hook available on request.