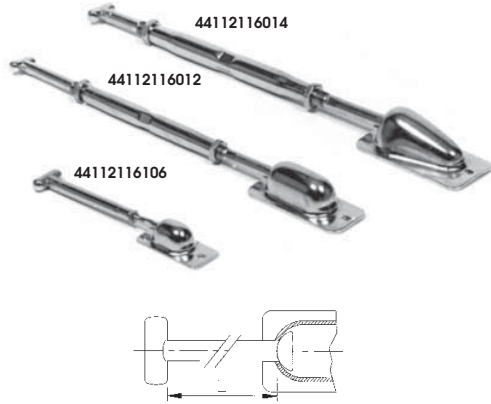


HARDWARE FOR STEP AND DECK COLLAR

► TIE ROD



- 44112116006** Tie rod for deck collar 36061201353.
Internal tang n° 2,5. not included
- 44112116106** Tie rod for deck collar 36061201353.
Internal tang n° 2,5. not included
- 44112116010** Tie rod for deck collar 36061204603
Internal tang n° 3,7. not included
- 44112116012** Tie rod for deck collar 36061204603
Internal tang n° 3,7. not included
- 44112116014** Tie rod for deck collar 36061110603.
Internal tang n° 4. not included

	44112116006	44112116106	44112116010	44112116012	44112116014
L	140 mm	240 mm	335 mm	330 mm	410 mm

► COMPLETE MAST STEP BLOCKS



SC - FIXED TOGGLE BLOCK

TYPE	BLOCK COMPLET
SC45	48214000SC3
SC58	48214000SC4
SC70	48214000SC7



SS - ARTICULATED TOGGLE BLOCK

TYPE	BLOCK COMPLET
SS45	48214000SS3
SS58	48214000SS4
SS70	48214000SS7



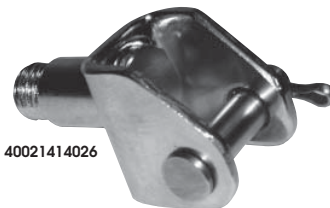
SM - ARTICULATED SCHAKLE BLOCK

TYPE	BLOCK COMPLET
SM45	48214000SM3
SM58	48214000SM4
SM70	48214000SM7



OPTION THREADED PIN

PIN	NUT	Block style
40020412042	28606508000	SC45 - SC58 SS45 - SS58
40020414051	28606508000	SC70 - SS70



OPTION TOGGLE

PIN	TOGGLE	NUT	Block style
40020412042	40021412027	28606508000	SC45-SC58-SS45-SS58
40020414051	40021414026	28606508000	SC70-SS70

