

## SPINNAKER GEAR

### ► SPI EYE

2004



**33501408010** Spi pole eye to be fitted on profile F78-IMS80.  
4 x **29002248160** Stainless rivets



**33501408376** Spi pole eye to be fitted on profiles F135 - F195 - F305.  
4 x **29002248160** Stainless rivets



**33501408003** Spi pole eye reinforced on profiles F135-F195.  
4 x **29002248160** Stainless rivets



**33501408034** Spi pole eye reinforced on profiles F305-F385.  
4 x **29002248160** Stainless rivets



**33503175325** Spi pole eye adjustment standard  
with piston for track 32x5.5



**33503175326** Spi pole eye adjustment reinforced  
with piston for track 32x5.5



**33503175003** Spi pole eye adjustment reinforced  
with ext. adjustment for track 32x5.5

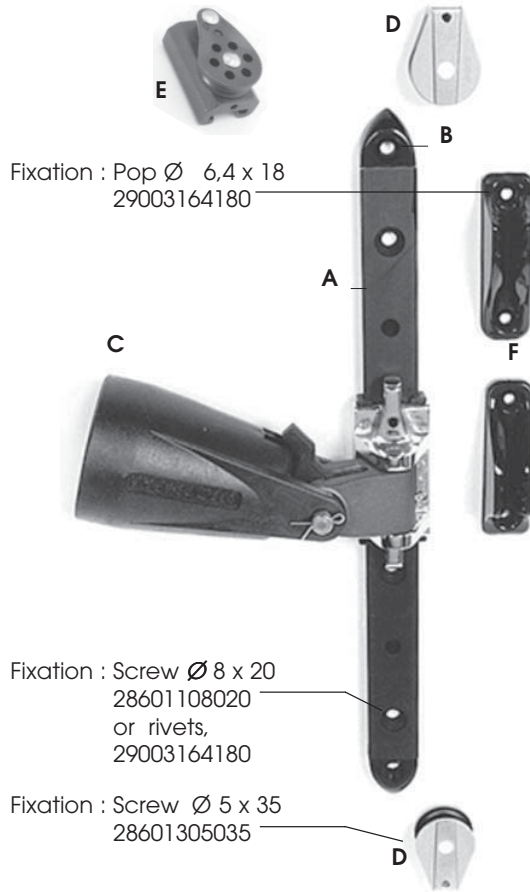
### ► POLE STOWAGE EQUIPMENT



**33515408733** Stainless steel strap (A) (supplied  
with fastener according to mast section).

**33515408732** Delrin wedge  
for spinnaker track 32 x 5,5 (B).

## ► SPINNAKER TRACK WITH COMPLETE BELL FITTING AND SLIDER



### With external adjustment

Rep.			
	Track 32 x 5,5 < 38'	33511174556	
A	Track 32 x 5,5 > 38'	33511174496	
B	Tips	33513174497	x2
C	Complete slider + bell	33505000001	
D	F135-F740 Blocks	48005007306	x2
	F740-F3360 Blocks	48031421040	
E	Blocks tracks 32	48207003213	x2
F	Clam Cleat	40724016860	x2

\*For boat under 38'

Bell with slider	33505000001
Slider	33503175060
Bell + toggle	33505000004

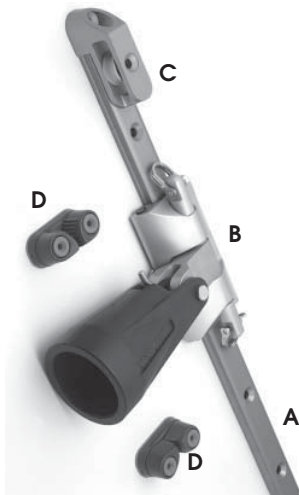
<b>Slider =</b> Slider	33503175062
1 x <b>33503175060</b>	2 x Delrin bearing 33507175063 Pin 40020110056

<b>Bell + toggle =</b>	
1 x <b>33505000004</b>	Bell 33505404421 Toggle 33517179380 Trigger 3805404422G Pin 40020212065 Spring 29240800030 Split ring 28803032200 Washer 28602313010

### Without external adjustment

Bell with slider with piston	33505000002
Slider piston	33503175061
Bell + toggle	33505000004

## HEAVY DUTY TORLON BALL BEARING CAR SUITABLE FOR 45'TO 65'BOATS



### With external adjustment

Rep.			Qt
A	Track lg 3200 mm	45003162232	
B	Complete slider	33509000006	x1
C	Block	48203172015	x2
D	Clam Cleat	40709000150	x2

Bell with slider	33509000006
Slider	33509000001
Toggle	33517000001
Bell	33505000007